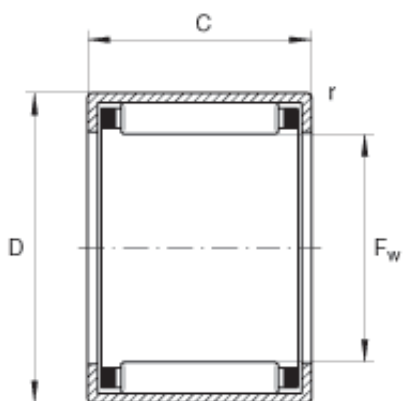




BEARING DRIVESHAFT, INC.



Insulating Bearings 6338/C3VL0241 Insulated Bearings

Bearing No. HK1612

HK1612 Bearing 2D drawings and 3D CAD models

Size	16x22x12 mm
Bore Diameter	16 mm
Outer Diameter	22 mm
Width	12 mm
F_w	16 mm
D	22 mm
C - 12 mm / Tolerance: -0,3	12 mm / Tolerance: 0,3
r_{min}	0,8 mm
m	12 g / Weight
C_r	7600 N / Dynamic load rating (radial)
C_{0r}	9700 N / Static load rating (radial)
C_{ur}	1160 N / Fatigue limit load, radial
n_G	15600 1/min / Limiting speed
n_B	10900 1/min / Reference speed
	IR12X16X13 / Suitable inner ring
Category	Roller Bearings
Inventory	23.0
Manufacturer Name	SCHAEFFLER GROUP
Minimum Buy Quantity	N/A
UNSPSC	31171512
Weight / Kilogram	0



BEARING DRIVESHAFT,INC.

Product Group	B04144
---------------	--------