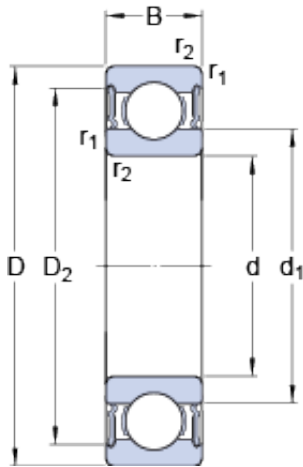




BEARING DRIVESHAFT, INC.



90 mm x 140 mm x 24 mm 6212M/C3VL0241
Insulation Bearing 60x110x22mm

Bearing No. 6018-2RS1

6018-2RS1 Bearing 2D drawings and 3D CAD models

Size	140x90x24 mm
Bore Diameter	140 mm
Outer Diameter	90 mm
Width	24 mm
d	90 mm
D	140 mm
B	24 mm
d ₁	105.95 mm
D ₂	128.3 mm
r _{1,2} - min.	1.5 mm
d _a - min.	97 mm
d _a - max.	105.9 mm
D _a - max.	133 mm
r _a - max.	1.5 mm
Basic dynamic load rating - C	60.5 kN
Basic static load rating - C ₀	50 kN
Fatigue load limit - P _u	2 kN
Limiting speed	2800 r/min
Calculation factor - k _r	0.025
Calculation factor - f ₀	15.6
Category	Single Row Ball Bearings
Inventory	0.0
Manufacturer Name	SKF
Minimum Buy Quantity	N/A



BEARING DRIVESHAFT,INC.

Weight / Kilogram	1.2
EAN	7316577740625
Product Group	B00308
Enclosure	2 Seals
Precision Class	ABEC 1 ISO P0
Maximum Capacity / Filling Slot	No
Rolling Element	Ball Bearing
Snap Ring	No
Internal Special Features	No
Cage Material	Steel
Enclosure Type	Contact Seal
Internal Clearance	C0-Medium
Inch - Metric	Metric
Long Description	90MM Bore; 140MM Outside Diameter; 24MM Outer Race Diameter; 2 Seals; Ball Bearing; ABEC 1 ISO P0; No Filling Slot; No Snap Ring; No Internal Special Features
Category	Single Row Ball Bearing
UNSPSC	31171504
Harmonized Tariff Code	8482.10.50.68
Noun	Bearing
Keyword String	Ball
Manufacturer URL	http://www.skf.com
Manufacturer Item Number	6018-2RS1
Weight / LBS	2.65
Bore	3.543 Inch 90 Millimeter
Outside Diameter	5.512 Inch 140 Millimeter
Outer Race Width	0.945 Inch 24 Millimeter
bore diameter:	90 mm
static load capacity:	50 kN



BEARING DRIVESHAFT, INC.

outside diameter:	140 mm
precision rating:	ABEC 1 (ISO Class Normal)
overall width:	24 mm
finish/coating:	Uncoated
bore type:	Round
cage material:	Steel
closure type:	Double Sealed
outer ring width:	24 mm
row type & fill slot:	Single Row Non-Fill Slot
fillet radius:	1.5 mm
internal clearance:	C0
maximum rpm:	2800 RPM
operating temperature range:	-40 to +210 ° F
series:	60
dynamic load capacity:	60.5 kN
d_1	105.95 mm
D_2	128.3 mm
$r_{1,2}$ min.	1.5 mm
d_a min.	97 mm
d_a max.	105.9 mm
D_a max.	133 mm
r_a max.	1.5 mm
Basic dynamic load rating C	60.5 kN
Basic static load rating C_0	50 kN
Fatigue load limit P_u	1.96 kN
Calculation factor k_r	0.025
Calculation factor f_0	15.6
Mass bearing	1.19 kg