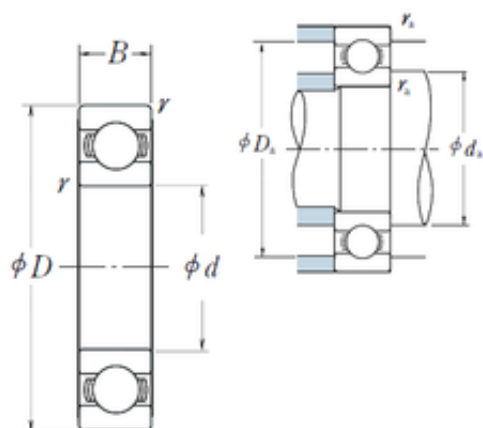




## BEARING DRIVESHAFT, INC.



80 mm x 140 mm x 26 mm 6320-M-J20AA-C3  
Insulated Bearing 100x215x47mm

Bearing No. 6216

6216 Bearing 2D drawings and 3D CAD models

Size	80x140x26 mm
Bore Diameter	80 mm
Outer Diameter	140 mm
Width	26 mm
d	80 mm
D	140 mm
B	26 mm
C	26 mm
r min.	2 mm
da min.	89 mm
da max	95,5 mm
Da max.	131 mm
ra max.	2 mm
Weight	1,42 Kg
Basic dynamic load rating (C)	72,5 kN
Basic static load rating (C0)	53 kN
(Grease) Lubrication Speed	4 500 r/min
(Oil) Lubrication Speed	5 300 r/min
Category	Single Row Ball Bearings
Inventory	0.0
Manufacturer Name	NSK
Minimum Buy Quantity	N/A
Weight / Kilogram	0.38
Product Group	B00308
Enclosure	Open



## BEARING DRIVESHAFT,INC.

Precision Class	ABEC 1   ISO P0
Maximum Capacity / Filling Slot	No
Rolling Element	Ball Bearing
Snap Ring	No
Internal Special Features	No
Cage Material	Steel
Internal Clearance	C0-Medium
Inch - Metric	Metric
Long Description	80MM Bore; 140MM Outside Diameter; 26MM Outer Race Diameter; Open; Ball Bearing; ABEC 1   ISO P0; No Filling Slot; No Snap Ring; No Internal Special Features
Category	Single Row Ball Bearing
UNSPSC	31171504
Harmonized Tariff Code	8482.10.50.68
Noun	Bearing
Keyword String	Ball
Manufacturer URL	<a href="http://www.nskamericas.com">http://www.nskamericas.com</a>
Manufacturer Item Number	6216
Weight / LBS	1.45
Outer Race Width	1.024 Inch   26 Millimeter
Outside Diameter	5.512 Inch   140 Millimeter
Bore	3.15 Inch   80 Millimeter
bore diameter:	80 mm
dynamic load capacity:	17200 lbs
outside diameter:	140 mm
static load capacity:	11900 lbs
overall width:	26 mm
bearing material:	Steel
bore type:	Round



## BEARING DRIVESHAFT,INC.

maximum rpm (grease):	5300 rpm
closure type:	Open
maximum rpm (oil):	6300 rpm
row type & fill slot:	Single Row Non-Fill Slot
manufacturer catalog:	<a href="#">Click here</a>
snap ring included:	Without Snap Ring
manufacturer upc number:	029176015533
internal clearance:	C0
SRI	9.86
hidYobi	6216
LangID	1
D_	140
SREX	0.04
B_	26
da min	89
hidTable	ecat_NSRDGB
Oil rpm	5300
SRE	9.86
mass	1.42
GRS rpm	4500
ra	2
SRIX	0.04
D_a	131
SRIN	-0.04
C0	53
fo	14.6
SREN	-0.04
DE_	129.05
Prod_Type3	DGBB_SR_OT
DA_	19.05
bomp	0
Z_	10



## BEARING DRIVESHAFT,INC.

yobi	6216
C_conv	72500
ALPHA_	0
SDM_	110
r	2
KBRG	6101
SBRG	2
DI_	90.95